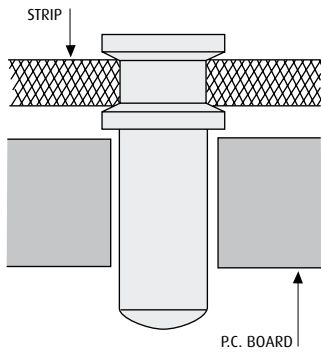


PC Board Sockets

Socket Strips for Ø0.5mm pins

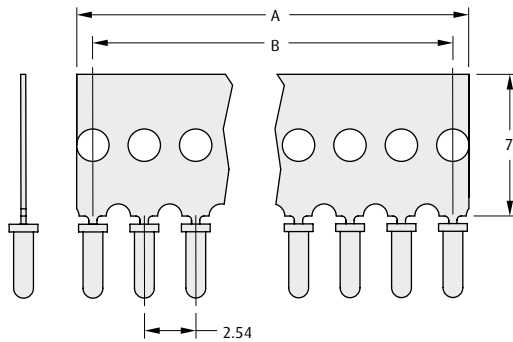
- ❖ Sub-miniature sockets using the four finger Beryllium Copper Contact, mounted on carrier strips for ease of production use.
- ❖ Choice of carrier styles available.
- ❖ See page 145 for information on the individual sockets.

FLAT POLYESTER STRIP



- ❖ 100 Contacts on a polyester strip, packed in a tube, ideal for multiple loading.
- ❖ Strip can be easily cut into any length and left in place, or removed after soldering.

SINGLE-IN-LINE SOCKET CARRIERS



- ❖ Brass carriers are supplied fitted with the sub-miniature socket shown in the tables below.
- ❖ Stocked in standard lengths.

CALCULATION

A	$B + 1.8$
B	$2.54 \times (\text{No of sockets} - 1)$

HOW TO ORDER

D01 - XXX XX 01

SERIES CODE

CONNECTOR TYPE

602	100 contact polyester strip of H3155-01
979	Single-in-line Socket Carrier with H3192-01
982	Single-in-line Socket Carrier with H3191-01
984	Single-in-line Socket Carrier with H3155-01
990	Single-in-line Socket Carrier with H3153-01

FINISH

01 Gold + Tin

NO. OF CONTACTS PER STRIP

100 contacts (D01-602 only)	00
All except D01-602	04 to 10, 12, 14, 16, 20, 32

www.harwin.com

All dimensions in mm.



HARWIN

SOCKETS